

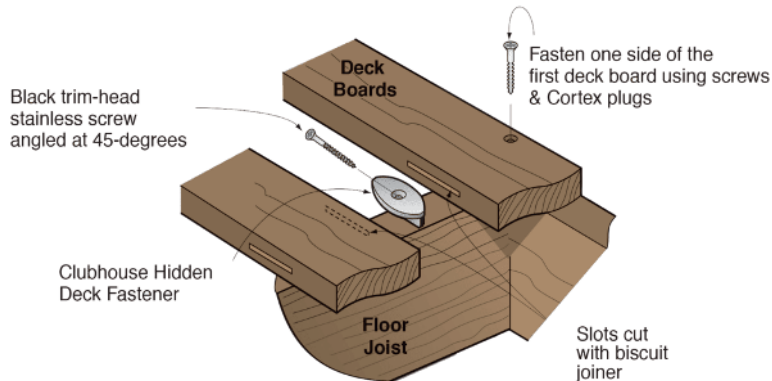
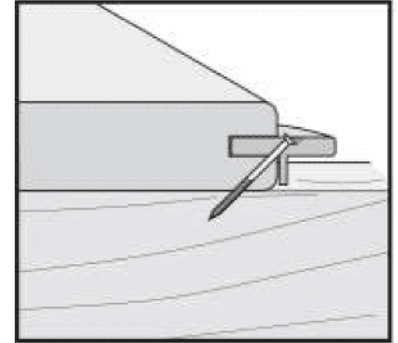


## CLUBHOUSE® DECKING BISCUIT HIDDEN FASTENER INSTALLATION GUIDE

- Screw down the outer edge of the first deck board using stainless steel screws.
- Place Clubhouse® fasteners in deck board slots at each joint.
- Drive the stainless black finish screw at a 45° angle flush to the top of fastener.

**NOTE:** Do not over drive screws.

- Slide your next deck board over the exposed Clubhouse® fasteners.
- Screw down outer edge of the last deck board using stainless steel screws.



### Troubleshooting

#### Deck bounces/springs when walked on

- Substructure built more than 16" on centre.  
*Boards must be secured 16". However, for the best/sturdiest feel, use 12" on centre with PVC decking.*
- Improper fastening – the deck boards are not fastened properly to the joists.  
*Check fastener manufacturer installation guide to ensure fasteners are used correctly. Make sure fasteners are tightly secured.*

#### Deck squeaks when walked on

- Improper fastening – the deck boards are not fastened properly to the joists. Check fastener manufacturer installation guide to ensure fasteners are used correctly. Make sure fasteners are tightly secured.
- Weak understructure – movement of the joists is making the noise. Block the joists appropriately to keep movement to a minimum.

## Excessive expansion/contraction of deck

- Excessive heat buildup – (caused by poor ventilation and/or reflection from windows with Low-E glass) resulting in surface temperature exceeding 160°F (71°C). See ventilation section of installation guide for ventilation guidelines.
- Improper fastening – the deck boards are not fastened properly to the joists. Check fastener manufacturer installation guide to ensure fasteners are used correctly. Make sure fasteners are tightly secured.
- Substructure installed while wet and then dried out and shrunk, causing movement of the deck. Allow the substructure to dry completely then re-secure boards and/or block joists appropriately to make the substructure more sturdy.

## Puddles/Standing Water on Deck

- Improper slope/pitch for water runoff. Deck should slope 1/16" to 1/8" per foot away from the house.
- Improper fastening – the deck boards are not fastened properly to the joists. Check fastener manufacturer installation guide to ensure fasteners are used correctly. Make sure fasteners are tightly secured.
- Uneven joists. Align joists to get an even substructure.

**NOTE:** Clubhouse® PVC Decking will not absorb water. Water will stand until it evaporates or runs off.

## Environmental Blushing

- Caused by buildup of heat and moisture due to a wide surface area of the deck being covered (e.g. by flower pots, rubber backed grill mats).

Use of rubber backed mats is not recommended on Clubhouse® PVC Decking, as it may cause staining. Raise flower pots with stands/footers to allow airflow under the pot. To remove discoloration caused by blushing, apply dry heat source to the area (e.g. with heat gun.) Caution: Do not overheat planks, as this could cause damage.

The diagrams and instructions shown here are for illustration purposes only and are not meant to replace a licensed professional. Any construction or use of the product must be in accordance with all local zoning and/or build codes. The consumer assumes all risks and liability associated with the construction or use of this product. The consumer or contractor should take all necessary steps to ensure the safety of everyone involved in the project, including, but not limited to, wearing the appropriate safety equipment. EXCEPT AS CONTAINED IN THE WRITTEN LIMITED WARRANTY, THE WARRANTOR DOES NOT PROVIDE ANY OTHER WARRANTY, EITHER EXPRESS OR IMPLIED, AND SHALL NOT BE LIABLE FOR ANY DAMAGES, INCLUDING CONSEQUENTIAL DAMAGES. 2021 TruNorth® Composites All rights reserved. Clubhouse® Decking is registered trademark of 2021 TruNorth® Composite